



SHASII

Top 2 Manufacturer of Sports LED Flood Light in China



# NOVA

500W/800W/1000W/1200W/1500W

IP66-67

IK10

7 YEARS WARRANTY



SHASII

SHASII GROUP

+971 7 2077441

info@shasii.com

www.shasii.com



# NOVA

A new generation of Product, industrial grade, light weight, small size, small wind resistance, high brightness, wide illumination range and adjustable beam angle. The power supply is built-in/external. It is easy to install and has a handle. The waterproof performance of the lamp is IP66, suitable for outdoor large venues such as stadiums, docks and airports;

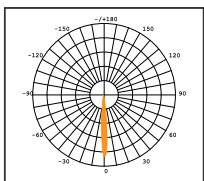
The light is designed by our own R&D teams. Various tests like salt spray test, waterproof test, and vibration test have been done to ensure its excellent waterproof performance, safe packing, and safty during transpourtation.

## PRODUCT ADVANTAGES

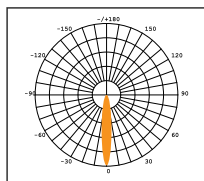
- Small size and low wind resistance (wind passes through easily);
- Products are equipped with hoists for easy installation;
- Easy external wiring;
- Intelligent dimming;
- The power supply can be built in/outside;
- Low transportation costs;

## PHOTOMETRIC DIAGRAMS

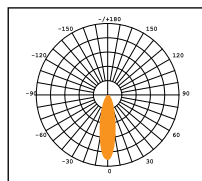
Optional



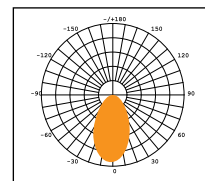
9°



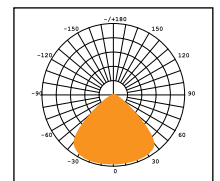
15°



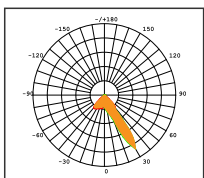
30°



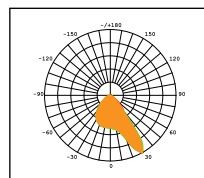
60°



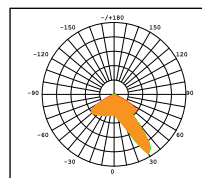
90°



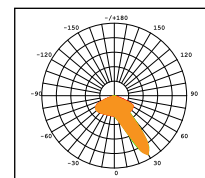
Narrow



Medium



Wide



Very Wide



## Uniform illumination with various lens

Asymmetrical and Symmetrical Lens, Full Coverage Of Light Types, Uniform Illumination Of The Illuminated Area



## Bracket Stepless Adjustment

Stepless adjustment is more suitable for the angle requirements of different applications



**ALUMINA LASER LOGO, HIGHLIGHTING BRAND HIGHLIGHTS**



**LENS HOOD ANTI-GLARE**

## POWER SUPPLY BUILT-IN/EXTERNAL

BUILT-IN POWER SUPPLY



## Handle Design

Beautiful appearance, easy installation and more convenient



## 1070 pure aluminum material

1070 pure aluminum design, super heat conduction and heat dissipation effect



**DIE-CASTING FACE FRAME, SHIELDING SCREWS,  
ENHANCING HIGH-END VISUAL SENSE**

**AIR CONVECTION DESIGN IN POWER  
SUPPLY CHAMBER**





## Longer life with breathing valve lamp body

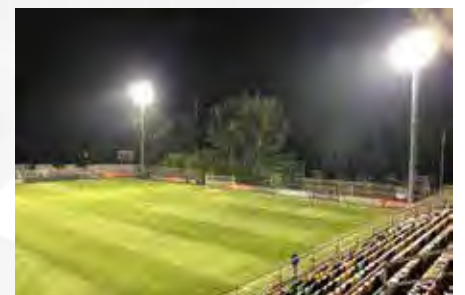
Each Module Is Equipped With A Breathing Valve To Ensure The Internal And External Air Pressure Is Balanced And Extend The Life Of The Entire Lamp

## Stronger Heat Dissipation

Slot In The Middle To Increase Cooling Air Convection



## Applications



# NOVA

## HD-FL05-500W

Built-in power supply

### Specifications



#### Optical Data

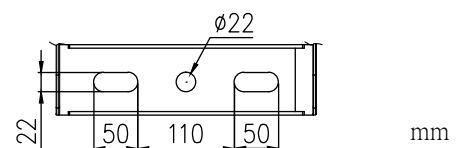
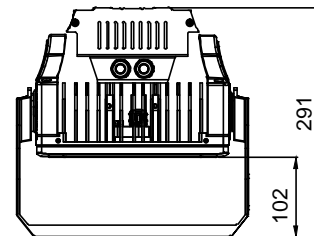
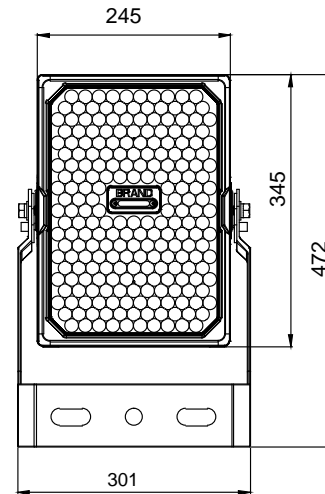
Wattage	500W	
LED Type	Lumileds 5050	Samsung 3535
Efficiency	150LM/W	130LM/W
Luminous Flux	75000Lm	65000Lm
Beam Angle	30°/60°/90°	9°/15°/Narrow/Medium/Wide/Very Wide
CCT	4000K/5000K/5700K	
CRI	>70Ra	
System Efficiency	>90%	

#### Electrical Data

PowerSupply	INVENTRONICS
Input Voltage	AC100-277V
Power Frequency	50/60Hz
Power Efficiency	>92%
Power Factor	0.95
Total Harmonic Distortion	<15%
Operating Temp	-30°C ~ 50°C

#### Others

IP	IP66
Lifetime(L70 Standard)	100,000 hours
Heat Radiator	Cold forged aluminum
Lens Material	PC
Dimension	472*301*291mm
Net Weight	13kg



# NOVA

## HD-FL05-800W

Built-in power supply

### Specifications



#### Optical Data

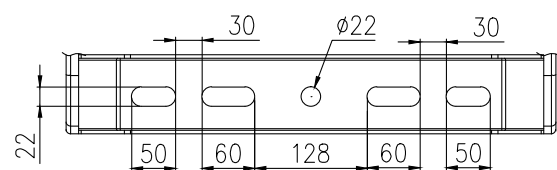
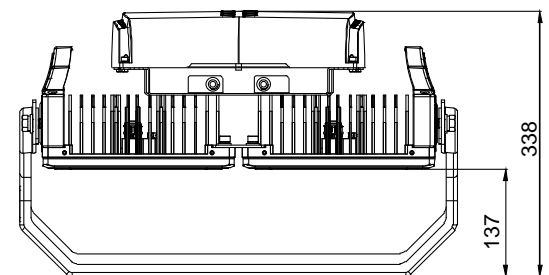
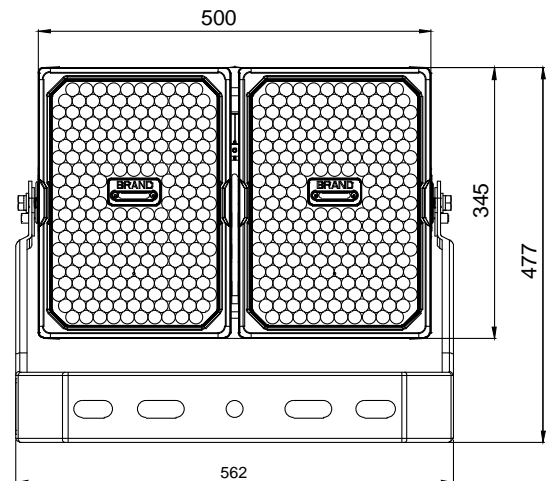
Wattage	800W	
LED Type	Lumileds 5050	Samsung 3535
Efficiency	150LM/W	130LM/W
Luminous Flux	120000Lm	104000Lm
Beam Angle	30°/60°/90°	9°/15°/Narrow/Medium/Wide/Very Wide
CCT	4000K/5000K/5700K	
CRI	>70Ra	
System Efficiency	>90%	

#### Electrical Data

PowerSupply	INVENTRONICS
Input Voltage	AC100-277V
Power Frequency	50/60Hz
Power Efficiency	>92%
Power Factor	0.95
Total Harmonic Distortion	<15%
Operating Temp	-30°C ~ 50°C

#### Others

IP	IP66
Lifetime(L70 Standard)	100,000 hours
Heat Radiator	Cold forged aluminum
Lens Material	PC
Dimension	562*477*338mm
Net Weight	20kg



mm



# NOVA

## HD-FL05-1000W

Built-in power supply

### Specifications



#### Optical Data

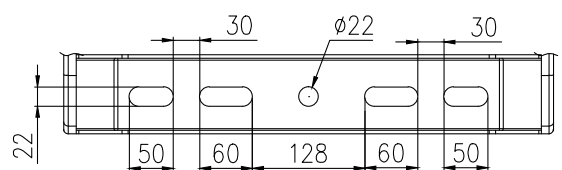
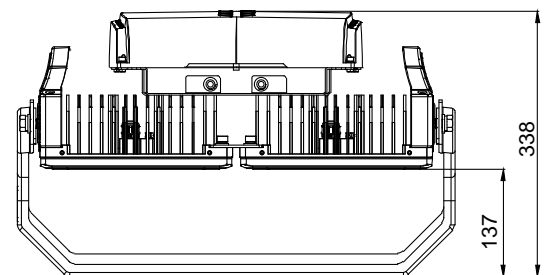
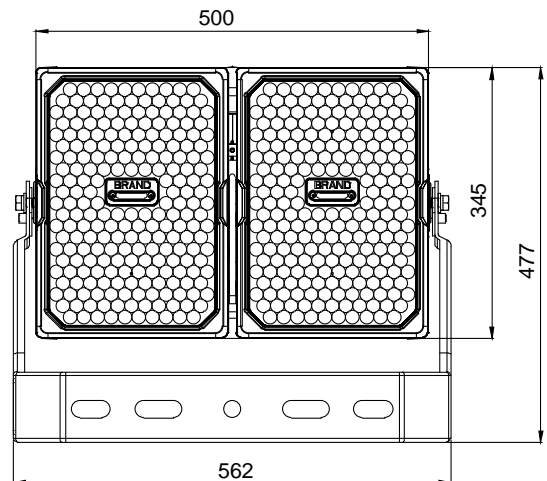
Wattage	1000W	
LED Type	Lumileds 5050	Samsung 3535
Efficiency	150LM/W	130LM/W
Luminous Flux	150000Lm	130000Lm
Beam Angle	30°/60°/90°	9°/15°/Narrow/Medium/Wide/Very Wide
CCT	4000K/5000K/5700K	
CRI	>70Ra	
System Efficiency	>90%	

#### Electrical Data

PowerSupply	INVENTRONICS
Input Voltage	AC100-277V
Power Frequency	50/60Hz
Power Efficiency	>92%
Power Factor	0.95
Total Harmonic Distortion	<15%
Operating Temp	-30°C ~ 50°C

#### Others

IP	IP66
Lifetime(L70 Standard)	100,000 hours
Heat Radiator	Cold forged aluminum
Lens Material	PC
Dimension	562*477*338mm
Net Weight	21kg



mm



# NOVA

## HD-FL05-1200W

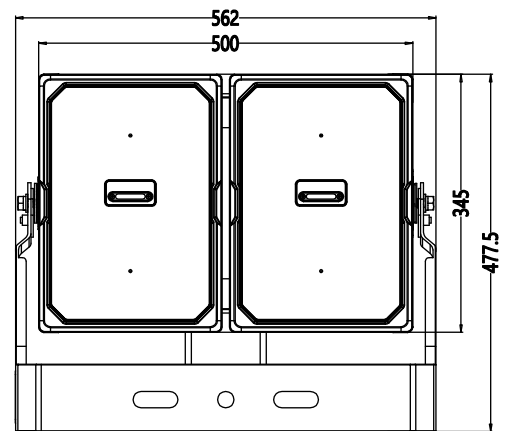
Built in power supply

### Specifications



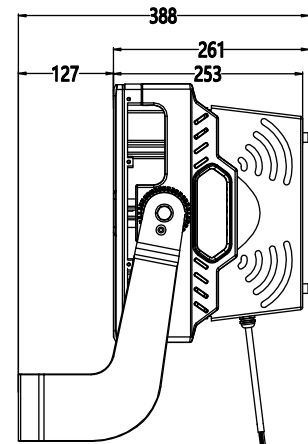
#### Optical Data

Wattage	1200W	
LED Type	Lumileds 5050	Samsung 3535
Efficiency	150LM/W	130LM/W
Luminous Flux	180000Lm	156000Lm
Beam Angle	30°/60°/90°	9°/15°/Narrow/Medium/Wide/Very Wide
CCT	4000K/5000K/5700K	
CRI	>70Ra	
System Efficiency	>90%	



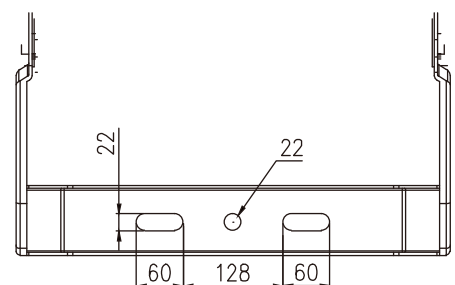
#### Electrical Data

PowerSupply	INVENTRONICS
Input Voltage	AC100-277V
Power Frequency	50/60Hz
Power Efficiency	>92%
Power Factor	0.95
Total Harmonic Distortion	<15%
Operating Temp	-30°C ~ 50°C



#### Others

IP	IP66
Lifetime(L70 Standard)	100,000 hours
Heat Radiator	Cold forged aluminum
Lens Material	PC
Dimension	562*477*388mm
Net Weight	21kg

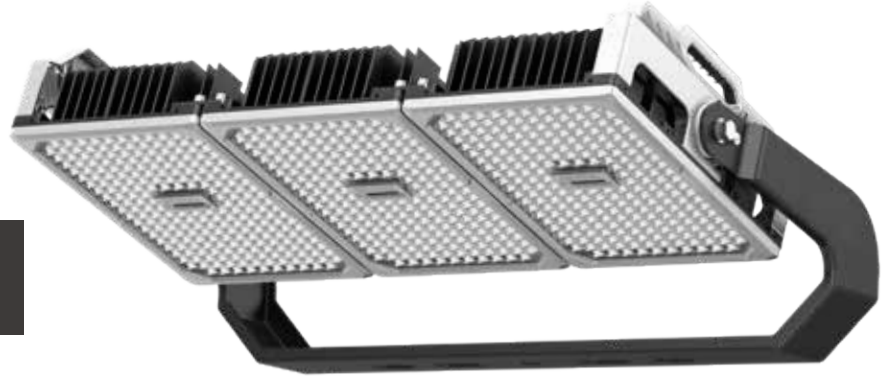


# NOVA

## HD-FL05-1500W

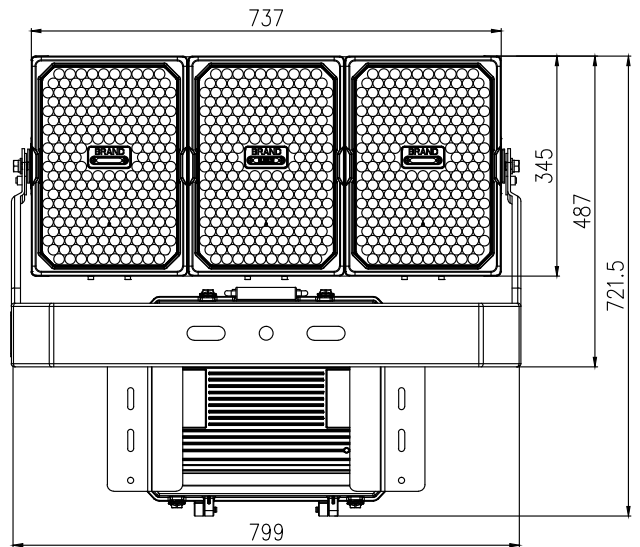
External power supply

### Specifications



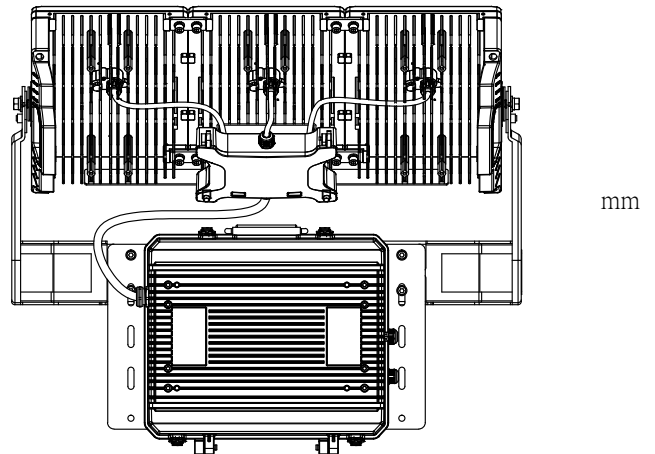
#### Optical Data

Wattage	1500W	
LED Type	Lumileds 5050	Samsung 3535
Efficiency	150LM/W	130LM/W
Luminous Flux	225000Lm	195000Lm
Beam Angle	30°/60°/90°	9°/15°/Narrow/Medium/Wide/Very Wide
CCT	4000K/5000K/5700K	
CRI	>70Ra	
System Efficiency	>90%	



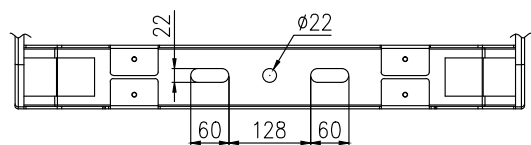
#### Electrical Data

PowerSupply	INVENTRONICS/MEANWELL
Input Voltage	AC100-277V
Power Frequency	50/60Hz
Power Efficiency	>92%
Power Factor	0.95
Total Harmonic Distortion	<15%
Operating Temp	-30°C ~ 50°C



#### Others

IP	IP66
Lifetime(L70 Standard)	100,000 hours
Heat Radiator	Cold forged aluminum
Lens Material	PC
Dimension	799*487*308mm
Net Weight	21kg+15kg(Remote Gear)





SHASII



Top 2 Manufacturer of Sports LED Flood Light in China

[www.shasii.com](http://www.shasii.com)